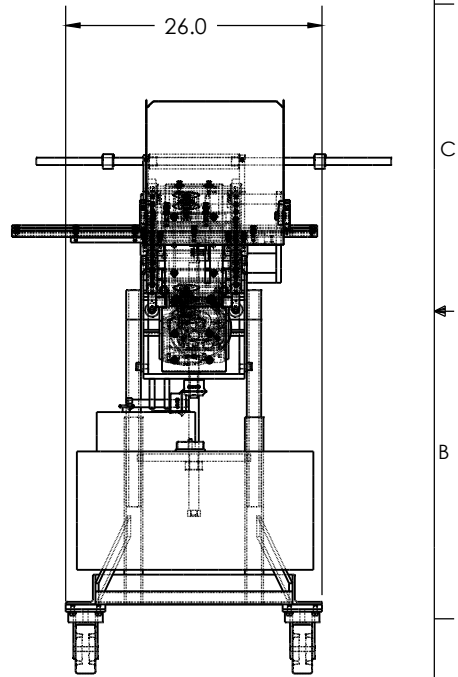
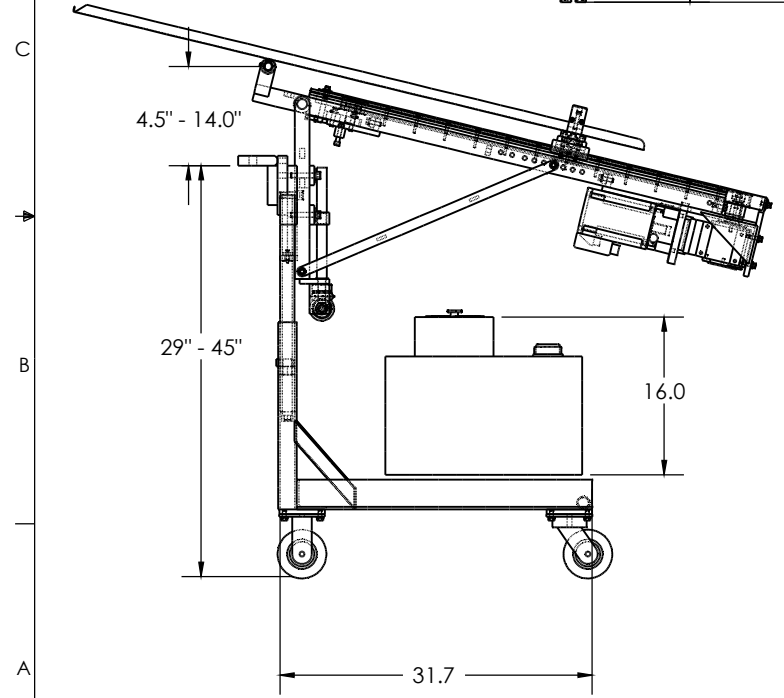
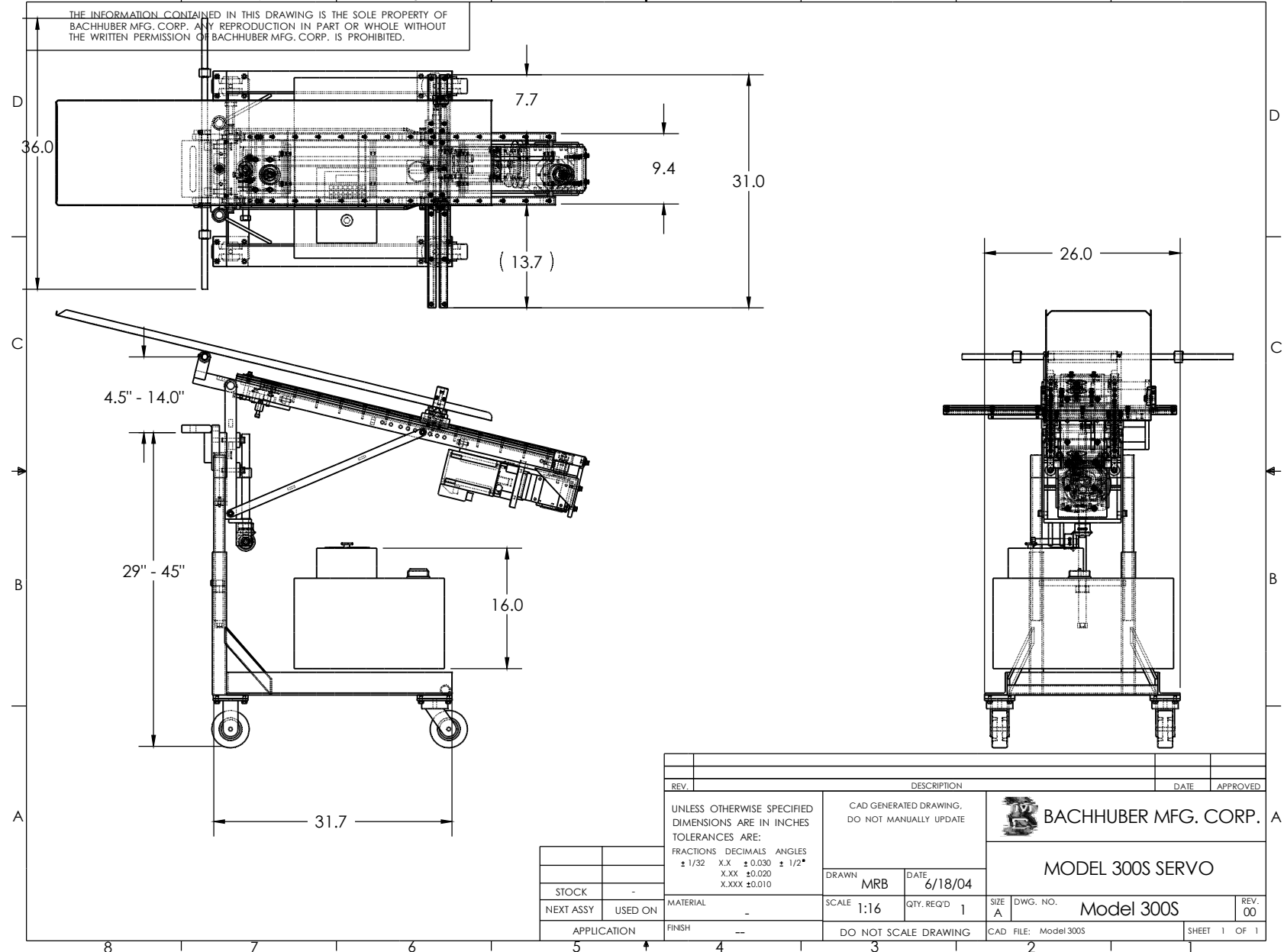


THE INFORMATION CONTAINED IN THIS DRAWING IS THE SOLE PROPERTY OF BACHHUBER MFG. CORP. ANY REPRODUCTION IN PART OR WHOLE WITHOUT THE WRITTEN PERMISSION OF BACHHUBER MFG. CORP. IS PROHIBITED.



REV.	DESCRIPTION	DATE	APPROVED

UNLESS OTHERWISE SPECIFIED DIMENSIONS ARE IN INCHES
TOLERANCES ARE:
FRACTIONS DECIMALS ANGLES
± 1/32 X.X ± 0.030 ± 1/2°
X.XX ± 0.020
X.XXX ± 0.010

CAD GENERATED DRAWING.
DO NOT MANUALLY UPDATE

BACHHUBER MFG. CORP.

MODEL 300S SERVO

STOCK	-	MATERIAL	-	DRAWN	MRB	DATE	6/18/04	SCALE	1:16	QTY. REQ'D	1	SIZE	A	DWG. NO.	Model 300S	REV.	00
NEXT ASSY	USED ON	FINISH	--	DO NOT SCALE DRAWING				CAD FILE:	Model 300S	SHEET		1	OF		1		